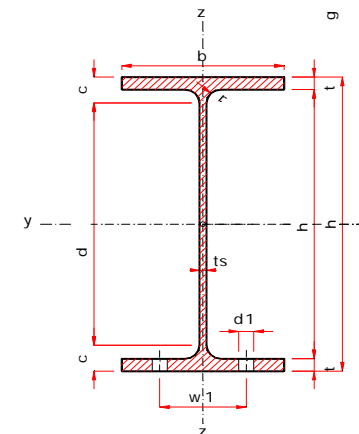


IPE

Profile I cu talpi paralele de latime medie

lamine la cald, conf. DIN 1025, ed. martie 1994
si EURONORM 19-57

Tolerante dimensionale conf. DIN EN 10034, ed. martie 1994



Denumire Tip	Dimensiuni						A cm ²	G kg/m	Caracteristici sectionale						S _y cm	Gaurire conf. DIN 997 ed. oct. 1970	
	h	b	t _s	t _g	r	h-2c			y-y			z-z				d ₁ mm	w ₁ mm
									l _y	W _y	i _y	l _z	W _z	i _z			
									mm								
80	80	46	3.8	5.2	5.00	59	7.64	6.0	80.1	20.0	3.24	8.49	3.69	1.05	6.9	6.4	26
100	120	55	4.1	5.7	7.00	74	10.30	8.1	171	34.2	4.07	15.90	5.79	1.24	8.6	8.4	30
120	120	64	4.4	6.3	7.00	93	13.20	10.4	318	53.0	4.90	27.70	8.65	1.45	10.5	8.4	36
140	140	73	4.7	6.9	7.00	112	16.40	12.9	541	77.3	5.74	44.90	12.30	1.65	12.3	11	40
160	160	82	5.0	7.4	9.00	127	20.10	15.8	869	109.0	6.58	68.30	16.70	1.84	14.0	13	44
180	180	91	5.3	8.0	9.00	146	23.90	18.8	1320	146.0	7.42	101.00	22.20	2.05	15.8	13	50
200	200	100	5.6	8.5	12.00	159	28.50	22.4	1940	194.0	8.26	142.00	28.50	2.24	17.6	13	56
220	220	110	5.9	9.2	12.00	177	33.40	26.2	2770	252.0	9.11	205.00	37.30	2.48	19.4	17	60
240	240	120	6.2	9.8	15.00	190	39.10	30.7	3890	324.0	9.97	284.00	47.30	2.69	21.2	17	68
270	270	135	6.6	10.2	15.00	219	45.90	36.1	5790	429.0	11.20	420.00	62.20	3.02	23.9	21/17	72
300	300	150	7.1	10.7	15.00	248	53.80	42.2	8360	557.0	12.50	604.00	80.50	3.35	26.6	23	80
330	330	160	7.5	11.5	18.00	271	62.60	49.1	11770	713.0	13.70	788.00	98.50	3.55	29.3	25/23	86
360	360	170	8.0	12.7	18.00	298	72.70	57.1	16270	904.0	15.00	1040.00	123.00	3.79	31.9	25	90
400	400	180	8.6	13.5	21.00	331	84.50	66.3	23130	1160.0	16.50	1320.00	146.00	3.95	35.4	28/25	96
450	450	190	9.4	14.6	21.00	378	98.80	77.6	33740	1500.0	18.50	1680.00	176.00	4.12	40.1	28	106
500	500	200	10.2	16.0	21.00	426	116.00	90.7	48200	1930.0	20.40	2140.00	214.00	4.31	43.9	28	110
550	550	210	11.1	17.2	24.00	467	134.00	106.0	67120	2440.0	22.30	2670.00	254.00	4.45	48.2	28	120
600	600	220	12.0	19.0	24.00	514	156.00	122.0	92080	3070.0	24.30	3390.00	308.00	4.66	52.4	28	120

Valori de calcul - Profile IPE

Denumire	$W_{pl,y}$	$M_{pl,y}$	N_{pl}	$Q_{pl,z} = V_{pl,z}$	$W_{pl,z}$	S_y	I_T	$C = I_w$	$i_{z,g}$	Denumire
Tip	cm^3	kNm	kN	kN	cm^3	cm^3	cm^4	cm^6	cm	Tip
80	23.2	5.57	183	39.4	5.8	11.6	0.70	118	1.18	80
100	39.4	9.46	248	53.6	9.2	19.7	1.21	351	1.4	100
120	60.7	14.60	317	69.3	13.6	30.4	1.74	890	1.63	120
140	88.3	21.20	394	86.7	19.2	44.2	2.45	1980	1.87	140
160	124.0	29.70	482	106.0	26.1	61.9	3.62	3960	2.08	160
180	166.0	39.90	575	126.0	34.6	82.2	4.80	7430	2.32	180
200	221.0	53.00	684	149.0	44.6	110.0	7.02	12990	2.52	200
220	285.0	68.50	801	172.0	58.1	143.0	9.10	22670	2.79	220
240	367.0	88.00	939	198.0	73.9	183.0	12.90	37390	3.03	240
270	484.0	116.00	1103	238.0	96.9	242.0	16.00	70580	3.41	270
300	628.0	151.00	1291	285.0	125.0	314.0	20.20	125900	3.79	300
330	804.0	193.00	1503	331.0	154.0	402.0	28.30	199100	4.02	330
360	1019.0	245.00	1746	385.0	191.0	510.0	37.50	313600	4.25	360
400	1307.0	314.00	2027	461.0	229.0	54.0	51.40	490000	4.49	400
450	1702.0	408.00	2372	567.0	276.0	851.0	67.10	791000	4.72	450
500	2194.0	527.00	2773	684.0	336.0	1097.0	89.70	1249000	4.96	500
550	2787.0	669.00	3226	819.0	400.0	1393.0	124.00	1884000	5.15	550
600	3512.0	843.00	3744	966.0	486.0	1756.0	166.00	2846000	5.41	600

Nota

Setul de date a fost colationat cu cea mai mare atentie. Pentru eventuale erori de redactare nu preluam nici o raspundere.

Sursa: Stahlbau-Profile, ed. a 22-a, Verlag Stahleisen GmbH, 1999

DeltaMETALS®

a division of DeltaTHERM TRADING s.r.l.

e-mail: deltametals@fx.ro