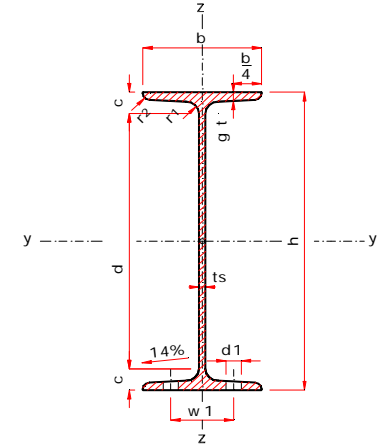


INP

Profile I cu talpi inclinate de latime mica

lamine la cald, conf. DIN 1025 sect. 1, ed. mai 1995

Tolerante dimensionale conf. DIN EN 10024, ed. mai 1995



Denumire Tip	Dimensiuni						A cm ²	G kg/m	Caracteristici sectionale						s _y cm	Gaurire conf. DIN 997 ed. oct. 1970	
	h	b	t _s r ₁	t _g	r ₂	h-2c			y-y			z-z				d ₁ mm	w ₁ mm
									I _y cm ⁴	W _y cm ³	i _y cm	I _z cm ⁴	W _z cm ³	i _z cm			
mm							cm ²	kg/m	cm ⁴	cm ³	cm	cm ⁴	cm ³	cm	cm	mm	mm
80	80	42	3.9	5.9	2.30	59	7.57	5.9	77.8	19.5	3.20	6.29	3.00	0.91	6.8	6.4	22
100	120	50	4.5	6.8	2.70	75	10.60	8.3	171	34.2	4.01	12.20	4.88	1.07	8.6	6.4	28
120	120	58	5.1	7.7	3.10	92	14.20	11.1	328	54.7	4.81	21.50	7.41	1.23	10.3	8.4	32
140	140	66	5.7	8.6	3.40	109	18.20	14.3	573	81.9	5.61	35.20	10.70	1.40	12.0	11	34
160	160	74	6.3	9.5	3.80	125	22.80	17.9	935	117.0	6.40	54.70	14.80	1.55	13.7	11	40
180	180	82	6.9	10.4	4.10	142	27.90	21.9	1450	161.0	7.20	81.30	19.80	1.71	15.5	13	44
200	200	90	7.5	11.3	4.50	159	33.40	26.2	2140	214.0	8.00	117.00	26.00	1.87	17.2	13	48
220	220	98	8.1	12.2	4.90	176	39.50	31.1	3060	278.0	8.80	162.00	33.10	2.02	18.9	13	52
240	240	106	8.7	13.1	5.20	192	46.10	36.2	4250	354.0	9.59	221.00	41.70	2.20	20.6	17/13	56
260	260	113	9.4	14.1	5.60	208	53.30	41.9	5740	442.0	10.40	288.00	51.00	2.32	22.3	17	60
280	280	119	10.1	15.2	6.10	225	61.00	47.9	7590	542.0	11.10	364.00	61.20	2.45	24.0	17	60
300	300	125	10.8	16.2	6.50	241	69.00	54.2	9800	653.0	11.90	451.00	72.20	2.56	25.7	21/17	64
320	320	131	11.5	17.3	6.90	258	77.70	61.0	12510	782.0	12.70	555.00	84.70	2.67	27.4	21/17	70
340	340	137	12.2	18.3	7.30	274	86.70	68.0	15700	923.0	13.50	674.00	98.40	2.80	29.1	21	74
360	360	143	13.0	19.5	7.80	290	97.00	76.1	19610	1090.0	14.20	818.00	114.00	2.90	30.7	23/21	76
380	380	149	13.7	20.5	8.20	306	107.00	84.0	24010	1260.0	15.00	975.00	131.00	3.02	32.4	23/21	82
400	400	155	14.4	21.6	8.60	323	118.00	92.4	29210	1460.0	15.70	1160.00	149.00	3.13	34.1	23	86
450	450	170	16.2	24.3	9.70	363	147.00	115.0	45850	2040.0	17.70	1730.00	203.00	3.43	38.4	25/23	94
500	500	185	18.0	27.0	10.80	404	179.00	141.0	68740	2750.0	19.60	2480.00	268.00	3.72	42.4	28	100
550	550	200	19.0	30.0	11.90	445	212.00	166.0	99180	3610.0	21.60	3490.00	349.00	4.02	46.8	28	110

Valori de calcul - Profile INP

Denumire	$W_{pl,y}$	$M_{pl,y}$	N_{pl}	$Q_{pl,z} = V_{pl,z}$	$W_{pl,z}$	S_y	I_T	$C = I_w$	$i_{z,g}$	Denumire
Tip	cm^3	kNm	kN	kN	cm^3	cm^3	cm^4	cm^6	cm	Tip
80	22.7	5.45	182	40.0	5.0	11.4	0.869	87.5	1.02	80
100	39.7	9.54	255	58.1	8.1	19.9	1.60	268	1.21	100
120	63.5	15.20	340	79.4	12.4	31.8	1.71	685	1.35	120
140	95.2	22.90	438	104.0	17.9	47.6	4.32	1540	1.58	140
160	136.0	32.60	547	131.0	24.9	67.9	6.57	3138	1.76	160
180	187.0	44.80	669	162.0	33.2	93.3	9.58	5924	1.95	180
200	249.0	59.70	802	196.0	43.5	124.0	13.50	10520	2.14	200
220	323.0	77.50	948	233.0	55.7	161.0	18.60	17760	2.31	220
240	411.0	98.60	1106	274.0	70.0	205.0	25.00	28730	2.51	240
260	513.0	123.00	1280	320.0	85.9	257.0	33.50	44070	2.66	260
280	631.0	151.00	1464	371.0	103.0	315.0	44.20	64580	2.81	280
300	761.0	183.00	1656	425.0	121.0	381.0	56.80	91850	2.94	300
320	913.0	219.00	1865	482.0	143.0	456.0	72.50	128800	3.08	320
340	1078.0	259.00	2080	544.0	166.0	539.0	90.40	176300	3.22	340
360	1274.0	306.00	2328	613.0	194.0	637.0	115.00	240100	3.36	360
380	1480.0	355.00	2567	682.0	221.0	740.0	141.00	318700	3.5	380
400	1712.0	411.00	2826	755.0	253.0	856.0	170.00	419600	3.64	400
450	2394.0	574.00	3527	956.0	345.0	1197.0	267.00	791100	3.99	450
500	3235.0	776.00	4304	1180.0	456.0	1618.0	402.00	1403000	4.33	500
550	4229.0	1015.00	5089	1369.0	592.0	2115.0	544.00	2389000	4.71	550

Nota

Setul de date a fost colationat cu cea mai mare atentie. Pentru eventuale erori de redactare nu preluam nici o raspundere.

Sursa: Stahlbau-Profile, ed. a 22-a, Verlag Stahleisen GmbH, 1999

DeltaMETALS®

a division of DeltaTHERM TRADING s.r.l.

e-mail: deltametals@fx.ro