

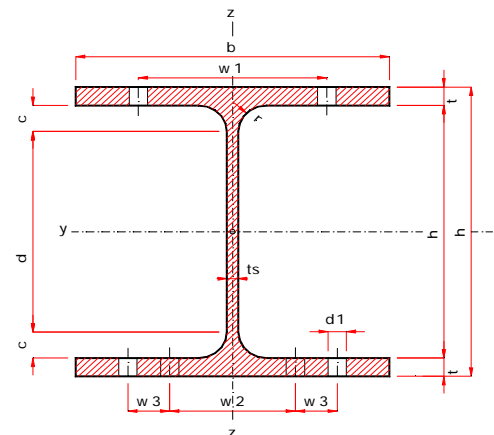
HEM

Profile late I cu talpi paralele executie grea, seria HE-M = I PBv

lamine la cald, conf. DIN 1025 sect.4, ed. martie 1994

si EURONORM 53-62

Tolerante dimensionale conf. DIN EN 10034, ed. martie 1994



Denumire Tip	Dimensiuni						A cm ²	G kg/m	Caracteristici sectionale						S _y cm	Gaurire conf. DIN 997 ed. oct. 1970			
	h	b	t _s	t _g	r	h-2c			y-y			z-z				d ₁ mm	w ₁ mm	w ₂ mm	w ₃ mm
									I _y cm ⁴	W _y cm ³	i _y cm	I _z cm ⁴	W _z cm ³	i _z cm					
									mm										
100	120	106	12.0	20.0	12.0	56	53.2	41.8	1140	190	4.63	399	75.3	2.74	9.69	13	60	-	
120	140	126	12.5	21.0	12.0	74	66.4	52.1	2020	288	5.51	703	112.0	3.25	11.50	17	68	-	
140	160	146	13.0	22.0	12.0	92	80.6	63.2	3290	411	6.39	1140	157.0	3.77	13.30	21	76	-	
160	180	166	14.0	23.0	15.0	104	97.1	76.2	5100	566	7.25	1760	212.0	4.26	15.10	23	86	-	
180	200	186	14.5	24.0	15.0	122	113.0	88.9	7480	748	8.13	2580	277.0	4.77	16.90	25	100	-	
200	220	206	15.0	25.0	18.0	134	131.0	103.0	10640	967	9.00	3650	354.0	5.27	18.70	25	110	-	
220	240	226	15.5	26.0	18.0	152	149.0	117.0	14600	1220	9.89	5010	444.0	5.79	20.60	25	120	-	
240	270	248	18.0	32.0	21.0	164	200.0	157.0	24290	1800	11.00	8150	657.0	6.39	22.90	25/23	100	35	
260	290	268	18.0	32.5	24.0	177	220.0	172.0	31310	2160	11.90	10450	780.0	6.90	24.80	25	110	40	
280	310	288	18.5	33.0	24.0	196	240.0	189.0	39550	2550	12.80	13160	914.0	7.40	26.70	25	116	45	
300	340	310	21.0	39.0	27.0	208	303.0	238.0	59200	3480	14.00	19400	1250.0	8.00	29.00	25	120	50	
320	359	309	21.0	40.0	27.0	225	312.0	245.0	68130	3800	14.80	19710	1280.0	7.95	30.70	28	126	47	
340	377	309	21.0	40.0	27.0	243	316.0	248.0	76370	4050	15.60	19710	1280.0	7.90	32.40	28	126	47	
360	395	308	21.0	40.0	27.0	261	319.0	250.0	84870	4300	16.30	19520	1270.0	7.83	34.00	28	126	47	
400	432	307	21.0	40.0	27.0	298	326.0	256.0	104100	4820	17.90	19340	1260.0	7.70	37.40	28	126	47	
450	478	307	21.0	40.0	27.0	344	335.0	263.0	131500	5500	19.80	19340	1260.0	7.59	41.50	28	126	47	
500	524	306	21.0	40.0	27.0	390	344.0	270.0	161900	6180	21.70	19150	1250.0	7.46	45.70	28	130	45	
550	572	306	21.0	40.0	27.0	438	354.0	278.0	198000	6920	23.60	19160	1250.0	7.35	49.90	28	130	45	
600	620	305	21.0	40.0	27.0	486	364.0	285.0	237400	7660	25.60	18980	1240.0	7.22	54.10	28	130	45	
650	668	305	21.0	40.0	27.0	534	374.0	293.0	281700	8430	27.50	18980	1240.0	7.13	58.30	28	130	45	
700	716	304	21.0	40.0	27.0	582	383.0	301.0	329300	9200	29.30	18800	1240.0	7.01	62.50	28	130	42	
800	814	303	21.0	40.0	30.0	674	404.0	317.0	442600	10870	33.10	18630	1230.0	6.79	70.90	28	132	42	
900	910	302	21.0	40.0	30.0	770	424.0	333.0	570400	12540	36.70	18450	1220.0	6.60	79.00	28	132	42	
1000	1008	302	21.0	40.0	30.0	868	444.0	349.0	722300	14330	40.30	18460	1220.0	6.45	87.20	28	132	42	

Valori de calcul - Profile HEM

Denumire	$W_{pl,y}$	$M_{pl,y}$	N_{pl}	$Q_{pl,z} = V_{pl,z}$	$W_{pl,z}$	S_y	I_T	$C = I_w$	$i_{z,g}$	Denumire
Tip	cm ³	kNm	kN	kN	cm ³	cm ³	cm ⁴	cm ⁶	cm	Tip
100	236	56.6	1278	166	116	118	68.5	9925	2.90	100
120	351	84.1	1594	206	172	175	92.0	24790	3.45	120
140	494	119.0	1933	249	240	247	120.0	54330	4.00	140
160	675	162.0	2329	305	325	337	163.0	108100	4.52	160
180	883	212.0	2718	354	425	442	204.0	199300	5.08	180
200	1135	272.0	3151	405	543	568	260.0	346300	5.61	200
220	1419	341.0	3587	460	679	710	316.0	572700	6.16	220
240	2117	508.0	4790	594	1006	1058	630.0	1152000	6.78	240
260	2524	606.0	5271	642	1192	1262	722.0	1728000	7.31	260
280	2966	712.0	5764	710	1397	1483	810.0	2520000	7.86	280
300	4078	979.0	7274	876	1913	2039	1410.0	4386000	8.47	300
320	4435	1064.0	7489	928	1951	2218	1510.0	5004000	8.43	320
340	4718	1132.0	7580	981	1953	2359	1510.0	5585000	8.41	340
360	4989	1197.0	7651	1033	1942	2495	1510.0	6137000	8.36	360
400	5571	1337.0	7819	1141	1934	2785	1520.0	7410000	8.29	400
450	6331	1519.0	8051	1275	1939	3166	1530.0	9252000	8.23	450
500	7094	1703.0	8263	1408	1932	3547	1540.0	11187000	8.15	500
550	7933	1904.0	8505	1548	1937	3966	1560.0	13516000	8.09	550
600	8772	2105.0	8728	1688	1930	4386	1570.0	15908000	8.01	600
650	9657	2318.0	8970	1827	1936	4828	1580.0	18650000	7.96	650
700	10539	2529.0	9192	1967	1929	5269	1590.0	21398000	7.87	700
800	12488	2997.0	9702	2252	1930	6244	1650.0	27775000	7.72	800
900	14442	3466.0	10167	2532	1929	7221	1680.0	34746000	7.60	900
1000	16568	3976.0	10661	2817	1940	8284	1710.0	43015000	7.50	1000

Nota

Setul de date a fost colationat cu cea mai mare atentie. Pentru eventuale erori de redactare nu preluam nici o raspundere.

Sursa: Stahlbau-Profile, ed. a 22-a, Verlag Stahleisen GmbH, 1999

DeltaMETALS®

a division of DeltaTHERM TRADING s.r.l.

e-mail: deltametals@fx.ro